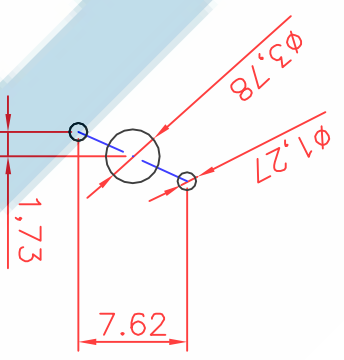
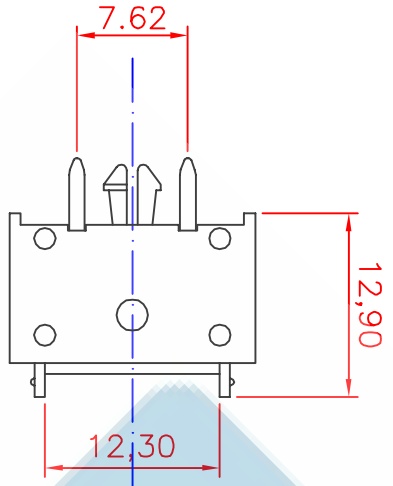
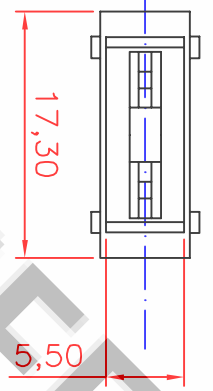
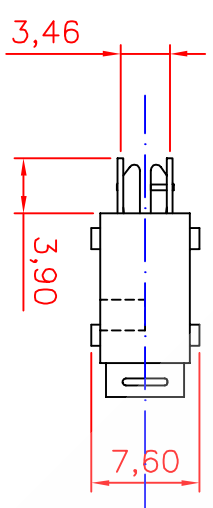


1 2 3 4 5 6 7 8

DRAWING REVISIONS				
REV	S/N	DESCRIPTION	APPROVED	DATE
A		ORIGINAL RELEASE		



mounting pattern



NOTES: UNLESS OTHERWISE SPECIFIED.

1. Applicable: For MINI blade fuse.
2. Electrical: Rated for current up to 15A32VAC
3. Insulating Base body: PA +30%GP
Contact: Brass with Tin plated

Dongguan GongFu Electronics Co., Ltd.

ROHS COMPLIANT	CUSTOMER
UNLESS OTHERWISE STATED	PCB Mount Fuseholder
WALL THICKNESS	FOR MINI AUTO FUSE

LINEAR	.XXX	±0.15 MM	D5GN	SCALE	free	REV
ANGULAR	.XXX	±0.05 MM	D5GN	SHEET	1 OF 1	A
DRAFT ANGLE/SIDE	0.5 ° MAX	DFTS		PART NO.	GF153008	
BURR & FLASH	0.10 MAX	CHKD				
BREAK CORNERS	0.20 R MAX					
PARTING LINE MISMATCH	0.05 MAX (APPD)					

1 2 3 4 5 6 7 8

A

B

C

A

B

C

D

E

F