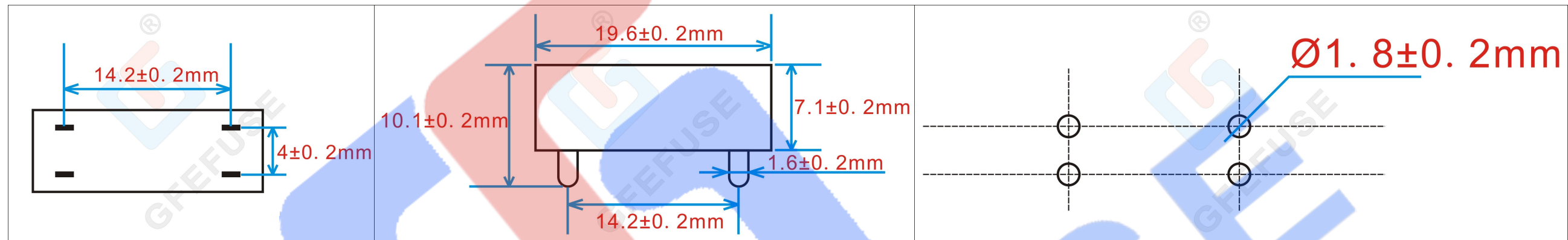


(GF-C40)automobile fuse Holder

1. Dimensions (mm)



2. product introduction

1. Insulator--Glass Filled PBT, UL94-V0;
2. terminal finish: Tin plated;
3. removed burrs and sharp edge.
4. (medium) (small) (MINI) (extra small)
5. three in one universal fuse plug holder
6. Suitable rated current: 30A@500VAC
7. Insertion and extraction force: 1Kg Min
8. Dielectric Strength: Min.AC1000V
9. Contact Resistance: Max 50m ω .
10. Contact Resistance: Max 50m ω
11. Insulation Resistance At 500V DC: 100M ω
12. product model GF-C40(Brand GFEFUSE GongFu)